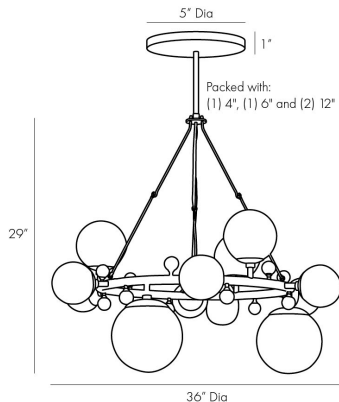


# ARTERIOS

## TROON ROUND CHANDELIER



89447

H: 30 IN, Dia: 36.00 IN

Antique Brass, Opal Swirl Glass

Contract Suitable As Is

A representation of modern sophistication, this multi-light electrolier defines a space. Varying sizes of opal swirl glass globes embellish a sleek and slender circular steel frame that emphasizes the slightly whimsical design. Small, clear crystal knobs contrast beautifully with an antique brass finish and the visual textures of a swirl finish. Additional pipe available (PIPE-422). Finish will vary. Damp rated, though limited covered

### APPEARANCE

Material	Glass, Steel
Finish	Antique Brass, Opal Swirl
Finish Will Vary	true
Top Coat/Sealant	false

### DIMENSIONS

Chandelier	8.00 IN
Minimum Hanging Height	H: 29 IN, Dia: 36.00 IN
Maximum Hanging Height	30 IN
Canopy	64 IN
	H: 1 IN, Dia: 5.00 IN

### WIRING

Rating	Damp
Cord	10 FT, Clear/Silver, SVT
Socket	12, Type B - E12
Maximum Watt	25
Voltage	110-120 V

### CERTIFICATIONS

Cerifications	Mexico Australia, EU, United Kingdom, Middle East, United States, Canada
---------------	---

### COMPLIANCY

UL/ETL	Yes
CB	Yes
RoHS	true

### SHIPPING

Product Weight	28.67 LBS
Gross Weight 1	33.08 LBS
Shipping Box 1	H: 37.5 IN, L: 30.5 IN, W: 11.5 IN

### REPLACEMENT PARTS

Replacement Part 1	PIPE-422
Replacement Part 1 Dim	Ext Pipe (1) 4", (1) 6" and (1) 12"
Replacement Part 2	CANOPY-485
Replacement Part 2 Dim	1" x 5"

### CONTRACT

Contract Suitable	true
-------------------	------